

3 SERIES

- MINIATURE BAYONET NON-GROUNDED LAMPHOLDERS
- 6" WIRE LEADS • BRASS SHELL IN BLACK POLYESTER HOUSING
- MAXIMUM RATING: 75 WATTS, 125 VOLTS
- UL AND CSA RECOGNIZED • UL FILE E20356 • CSA FILE LR 15284-2

Overview

The 3 Series lampholders are constructed with a brass shell in a polyester housing. Lampholders are supplied with two 6" wire leads and are non-grounded. Many bracket and mounting options are available including a 15/16" mounting hole plug button and a threaded bushing for 13/32" mounting holes. Lampholders are designed for use with miniature bayonet lamps.

Specifications

Shell: brass.

Housing: black polyester. White housing is also available.

Wire leads: 6" Leads: #22 AWG, black & white, stranded copper, PVC insulated, UL/CSA rated 105° C, stripped 1/2". Non-grounded units are supplied with two 6" wire leads. Custom wire lengths, stripping, termination and wire types are also available.

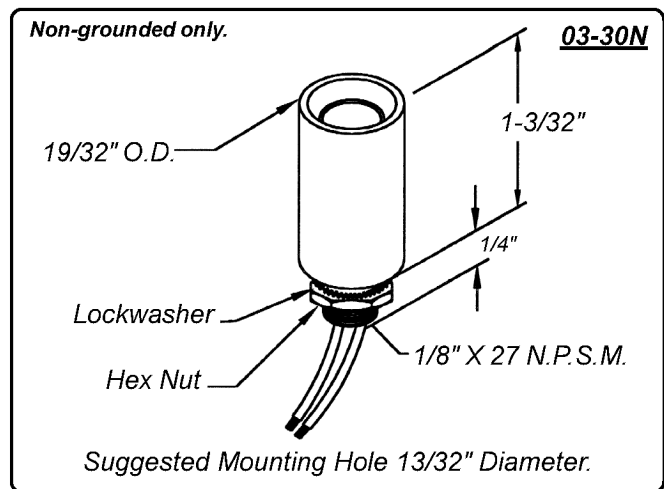
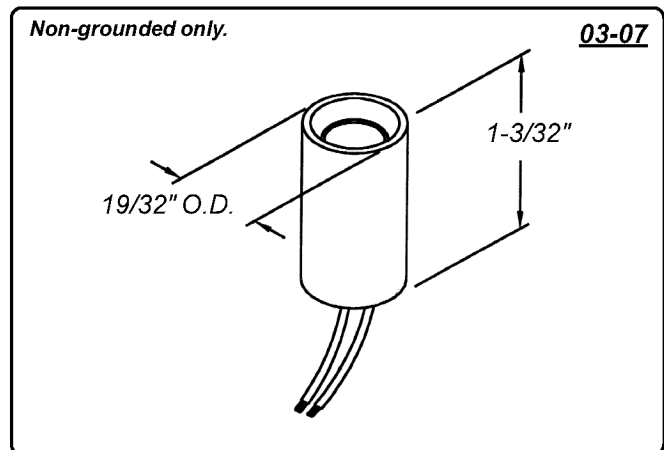
Mounting:

Brackets: .025" to .032" zinc plated steel. Custom brackets and plating types are available.

Threaded bushing: for 13/32" diameter mounting hole. Supplied with lockwasher and hex nut.

Plug button: zinc plated steel for 15/16" mounting hole.

Maximum rating: 75 Watts, 125 Volts.



3 Series
UL & CSA Recognized • Non-Grounded
Maximum Rating: 75 Watts, 125 Volts

Brass Shell
6" Wire Leads
Black Polyester Housing

